

MNML34 立式砂辊米机

MNML34立式砂辊碾米机是本公司综合国内外最先进的立式米机技术，并结合本公司的碾米机研究成果，精心设计，优化完善的新型立式碾米机，是现代化大型大米加工厂的理想配套设备。

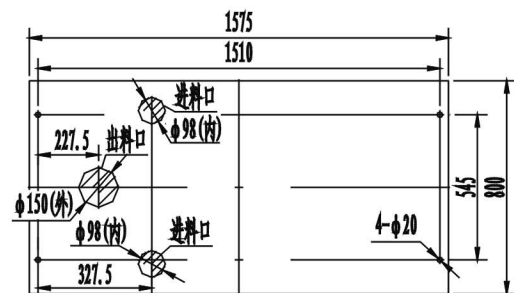
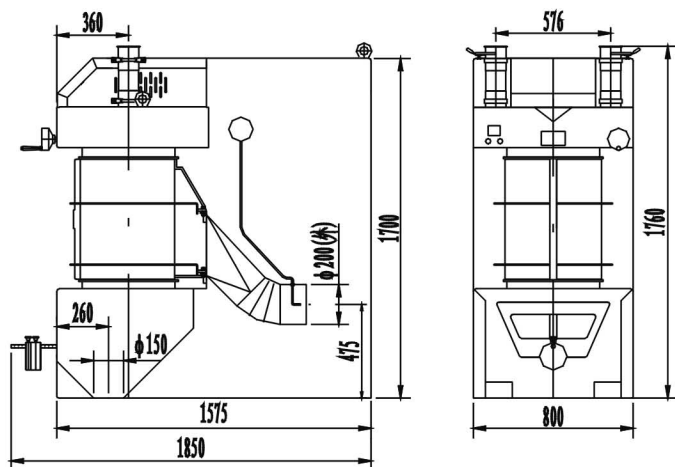
特点

- 米温低，产量高。
- 活动式筛架及片状砂辊结构
- 轴向出料，增碎少，排糠更充分。
- 进口元件配置，经久耐用。
- 电流和负压显示装置，负压可调，操作方便。

By absorbing advanced technology of rice milling from both inside and outside China as well as the research results of the company, MNML34 vertical emer roll is a newly developed product based on trial and error and elaborating. It is an ideal equipment for modern rice milling plant.

Feature

- Low rice temperature, high output
- Equipped with movable sieve frame and emery rings
- With imported parts, reliable and durable
- With current and negative pressure display device, easy to operate and negative pressure is adjustable.



(外形尺寸与地脚安装图)

主要技术参数

型号 Type	MNML34
处理量 Output(t/h)	4 ~ 5
动力配备 Power(kW)	37 ~ 55
主轴转速 Rotary speed of main shaft(rpm)	560 ~ 900
负压 Negative pressure(mmH ₂ O)	120 ~ 150
风量 Air volume(M ³ /min)	35 ~ 40
机重(不含电机) Weight(Kg)	≈ 950

通过ISO9001国际标准质量体系认证

E-mail: yongxiangmiji@sohu.com http://www.hbyxlj.com

地址: 湖北省安陆市府河大道8号

ADD: 8 FUHE AVE. ANLU CITY, HUBEI, CHINA

电话(TEL): 0712-5254443 5254445 5258762 传真(FAX): 0712-5254443 邮编(POSTCODE): 432600